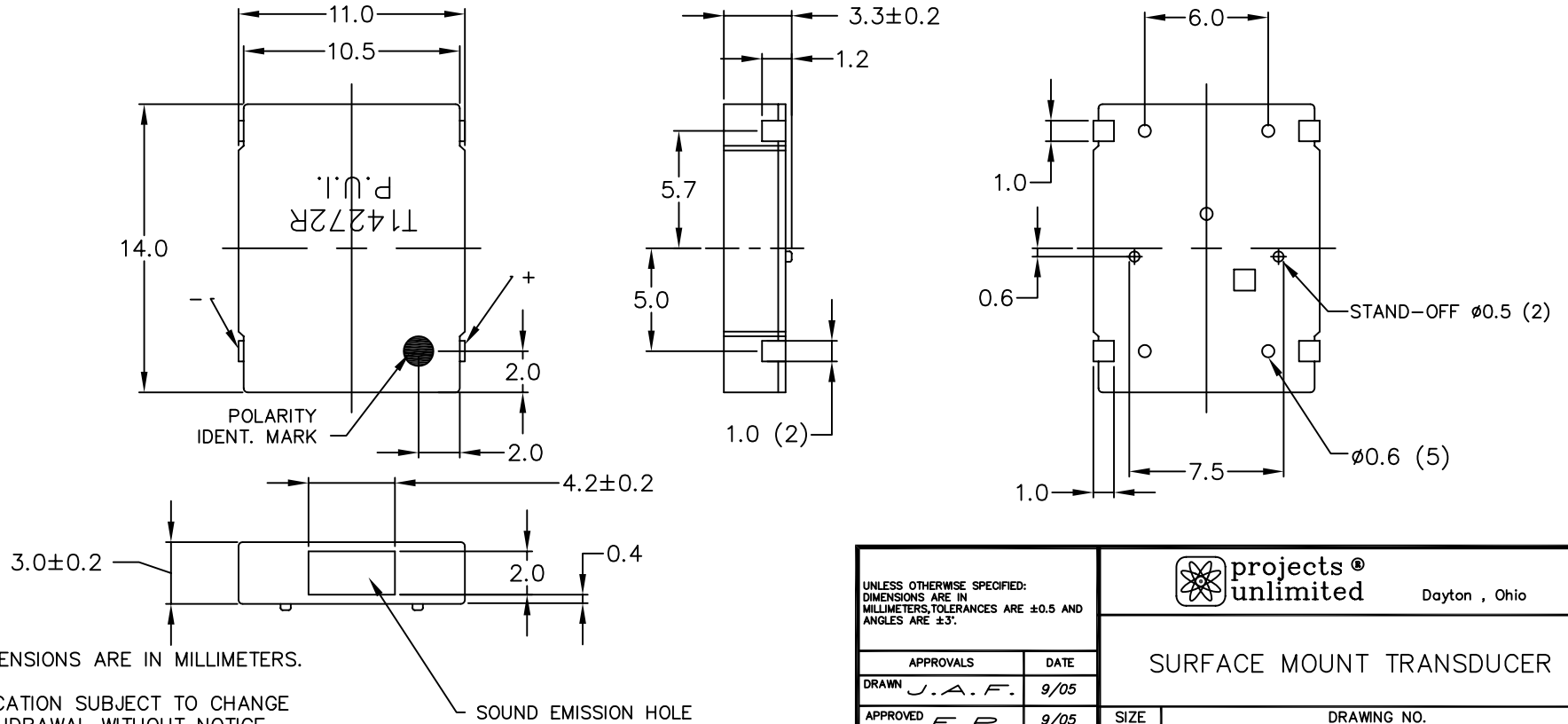


THIS DOCUMENT CONTAINS DATA PROPRIETARY TO PROJECTS UNLIMITED, INC. ANY USE OR REPRODUCTION, IN ANY FORM, WITHOUT PRIOR WRITTEN PERMISSION OF PROJECTS UNLIMITED, INC. IS PROHIBITED.
©2003, Projects Unlimited Inc.

SPECIFICATIONS

PARAMETERS	VALUES	UNITS
RATED VOLTAGE (SQUARE WAVE)	1.5	Vp-p
OPERATING VOLTAGE RANGE	1.2 ~ 1.7	Vp-p
RATED CURRENT (MAX)	80	mA
COIL RESISTANCE	9±2	OHM
MINIMUM SPL @ 10 CM	85	dBA
RESONANT FREQUENCY	2,700±500	Hz
OPERATING TEMPERATURE	-40 ~ +85	°C
STORAGE TEMPERATURE	-50 ~ +85	°C
HOUSING MATERIAL	PA46	-
TERMINAL MATERIAL	Sn PLATED PHOSPHOR BRONZE	-
WEIGHT	1.0	grams

REVISIONS			
LTR	DESCRIPTION	DATE	APPROVED
-	RELEASED FROM ENGINEERING	9/27/05	



NOTES:

1. ALL DIMENSIONS ARE IN MILLIMETERS.
2. SPECIFICATION SUBJECT TO CHANGE OR WITHDRAWAL WITHOUT NOTICE.
3. THIS PART IS RoHS 2002/95/ EC COMPLIANT.

FILE NAME
SMT-1427-S-2-R.DWG

UNLESS OTHERWISE SPECIFIED: DIMENSIONS ARE IN MILLIMETERS, TOLERANCES ARE ±0.5 AND ANGLES ARE ±3°.		projects® unlimited Dayton, Ohio	
APPROVALS		DATE	
DRAWN <i>J.A.F.</i>		9/05	
APPROVED <i>E.P.</i>		9/05	
APPROVED <i>B.R.</i>		9/05	
DO NOT SCALE DRAWING		SCALE: N.T.S.	SHEET 1 OF 1
SURFACE MOUNT TRANSDUCER DRAWING NO. SMT-1427-S-2-R			